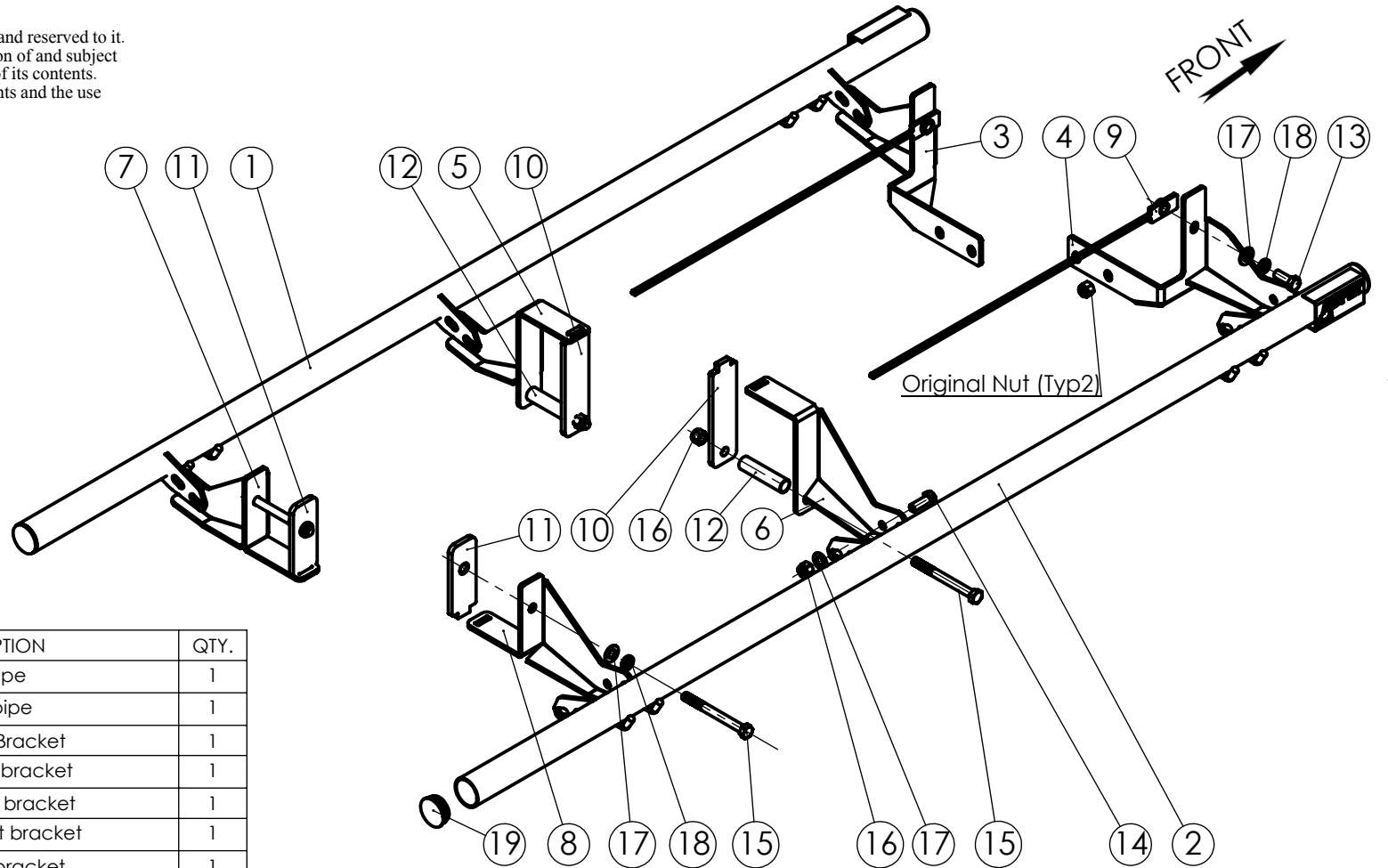


Confidential

All rights in and to this document are property of ASFIR Ltd. and reserved to it. This document is forwarded to the recipient under the condition of and subject to the obligation of the recipient to keep the confidentiality of its contents. Copying transfer of distribution of this document or its contents and the use of it not for the purpose intended-are strictly forbidden.



NO.	PART NUMBER	DESCRIPTION	QTY.
1	TYM95.010.000	Left pipe	1
2	TYM95.020.000	Right pipe	1
3	TYM82.000.001L	Left Front Bracket	1
4	TYM82.000.001R	Right Front bracket	1
5	TYM29.000.003L	Middle Left bracket	1
6	TYM29.000.003R	Middle Right bracket	1
7	TYM29.000.002L	Left Rear bracket	1
8	TYM29.000.002R	Right Rear bracket	1
9	TYM29.000.006	Plate for closing bolt	2
10	TYM29.000.004	Middle counter plate	2
11	TYM29.000.005	Rear counter plate	2
12	8553	Spacer 1/2" L=86 mm	2
13	1012	Hex Bolt M12x1.75x30 DIN 933	2
14	1003	Hex Bolt M12x1.75x35 DIN 933	12
15	1013	Hex Bolt M12x1.75x120 DIN 931	4
16	3001	Hex Nut nylock M12x1.75 DIN 985	14
17	6006	Washer 12x27 DIN125	16
18	6005	Spring washer 12 DIN 127	4
19	4000	1.5" Pipe Plastic Plug	4

	NAME	SIGN.	DATE
CHG.	Charnay		07.08.14
DWN.	Charnay		01.08.13
PLN.	David	<i>David</i>	<i>2014</i>
CONFIRM	Dani		

ASFIR LTD.

Drawing number	TYM95.000.000
Drawing description	SIDE PIPE PROTECTOR
Catalogue number	533060
Mass, kg	22
Sheet	Sheets 1

Maximum Tightening Torques	
M12 (8.8)	83 Nm
Product Description	
Vehicle Manufacturer	Toyota
Vehicle Model	Hilux VIGO
Vehicle Version	Tender
Year of Production	2012-2014
Gear Shift	Manual
Motor Model	Diesel 3.0L
Transmission	4 x 4