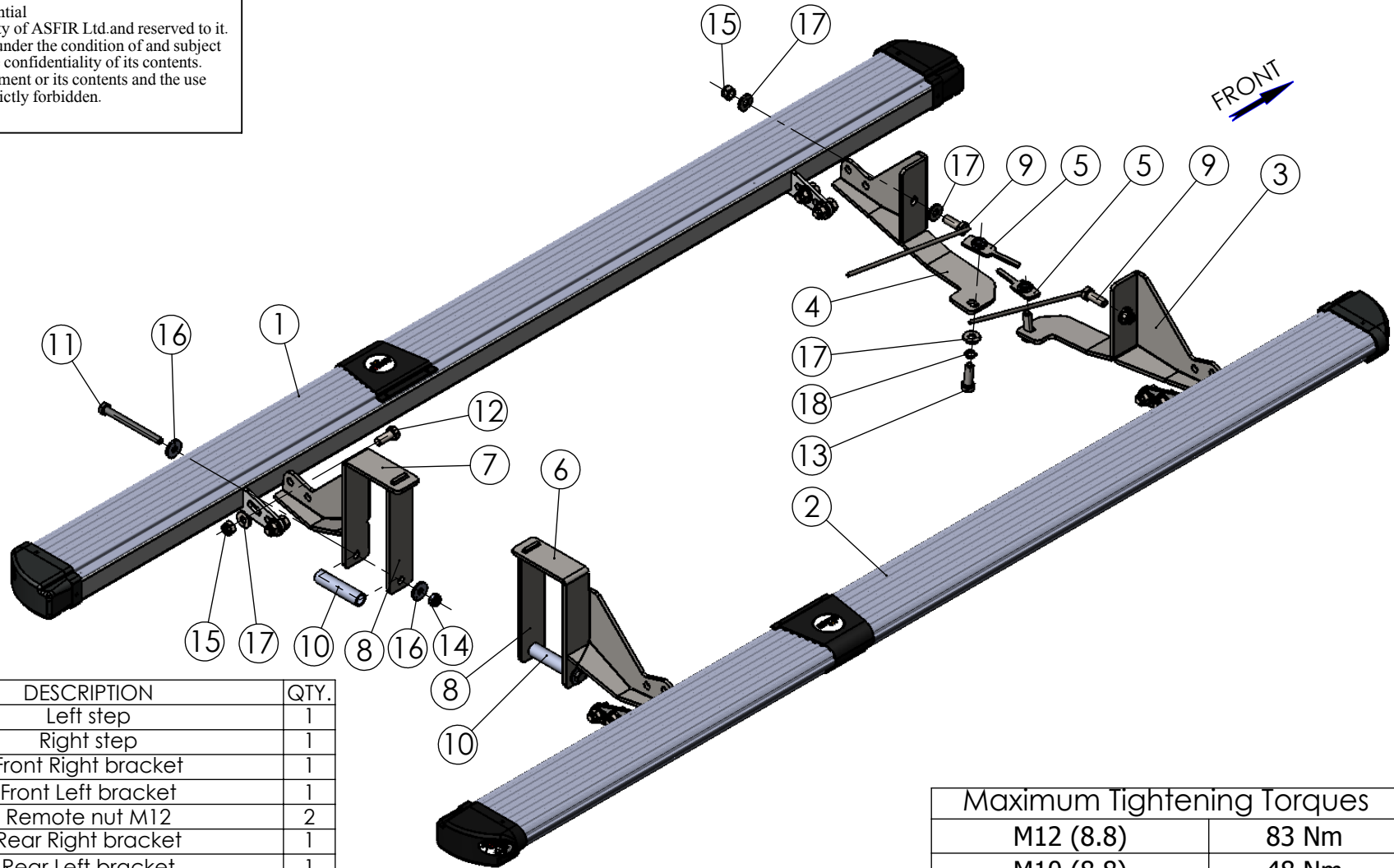


Confidential

All rights in and to this document are property of ASFIR Ltd. and reserved to it. This document is forwarded to the recipient under the condition of and subject to the obligation of the recipient to keep the confidentiality of its contents. Copying transfer of distribution of this document or its contents and the use of it not for the purpose intended-are strictly forbidden.



NO.	PART NUMBER	DESCRIPTION	QTY.
1	ISM35.100.000	Left step	1
2	ISM35.100.000R	Right step	1
3	ISM37.000.001	Front Right bracket	1
4	ISM37.000.002	Front Left bracket	1
5	ISM37.000.003	Remote nut M12	2
6	ISM35.000.003	Rear Right bracket	1
7	ISM35.000.004	Rear Left bracket	1
8	ISM35.000.005	Plate	2
9	ISM35.000.007	Spacer bolt M12x1.75x35	2
10	7225	Spacer 1/2" L=90 mm	2
11	1054	Hex Bolt M10x1.5x120 DIN 931	2
12	1012	Hex bolt M12x1.75x30 DIN 933	8
13	1004	Hex Bolt M12x1.75x40 DIN 933	2
14	3037	Hex Nut Nylock M10x1.5 DIN 985	2
15	3013	Hex Nut Nylock M12x1.75 DIN 985	10
16	6010	Washer 10x30 DIN 9021	4
17	6006	Washer 12x27 DIN 125	14
18	6005	Spring washer 12 DIN 127	2

	NAME	SIGN.	DATE
CHG.	Charnay		22.07.15
DWN.	Charnay		22.07.12
CHKD.	David		
CONFIRM	Dani		

ASFIR LTD.

Drawing number	
ISM37.000.000	
Drawing description	
SIDE STEP PROTECTOR	
Catalogue number	
Silver 530153	Black 530149
Weight, kg 34.5	

Maximum Tightening Torques	
M12 (8.8)	83 Nm
M10 (8.8)	48 Nm
Product Description	
Vehicle Manuf.	ISUZU
Vehicle Model	D-MAX
Vehicle Version	4 doors
VIN	MPATFR86JCT100314
Year of Production	2012 - 2015
Gear Shift	Automatic
Motor Model	Diesel 2.5TD
Transmission	4 x 2