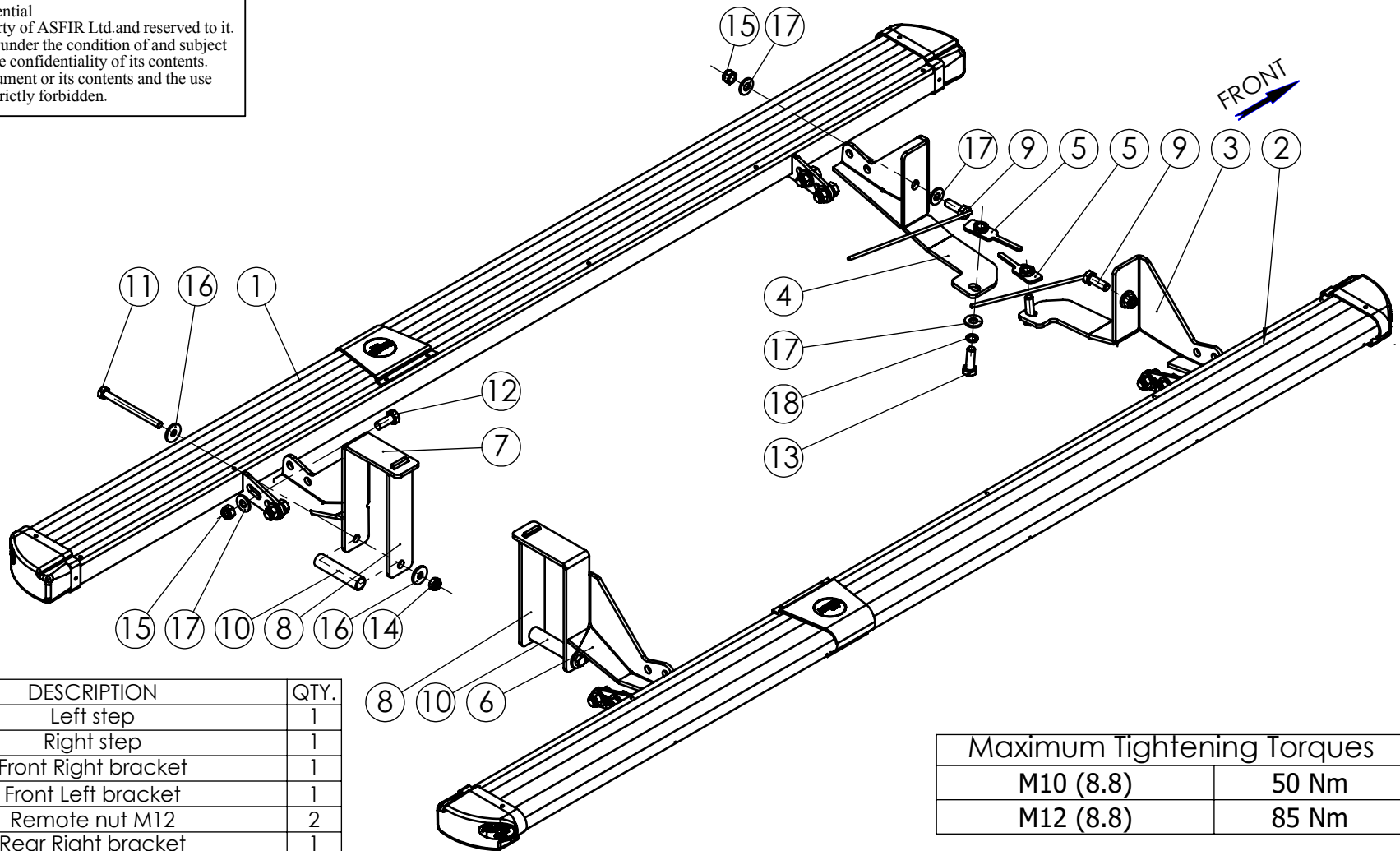


Confidential

All rights in and to this document are property of ASFIR Ltd. and reserved to it. This document is forwarded to the recipient under the condition of and subject to the obligation of the recipient to keep the confidentiality of its contents. Copying transfer of distribution of this document or its contents and the use of it not for the purpose intended are strictly forbidden.



NO.	PART NUMBER	DESCRIPTION	QTY.
1	ISM35.100.000	Left step	1
2	ISM35.100.000R	Right step	1
3	ISM37.000.001	Front Right bracket	1
4	ISM37.000.002	Front Left bracket	1
5	ISM37.000.003	Remote nut M12	2
6	ISM35.000.003	Rear Right bracket	1
7	ISM35.000.004	Rear Left bracket	1
8	ISM35.000.005	Plate	2
9	ISM35.000.007	Spacer bolt M12x1.75x35	2
10	7225	Spacer 1/2" L=90 mm	2
11	1053	Hex Bolt M10x1.5x120 DIN 931	2
12	1012	Hex bolt M12x1.75x30 DIN 933	8
13	1004	Hex Bolt M12x1.75x40 DIN 933	2
14	3037	Hex Nut Nylock M10x1.5 DIN 985	2
15	3001	Hex Nut Nylock M12x1.75 DIN 985	10
16	6010	Washer 10x30 DIN 9021	4
17	6006	Washer 12x24 DIN 125	14
18	6005	Spring washer 12 DIN 127	2

Maximum Tightening Torques	
M10 (8.8)	50 Nm
M12 (8.8)	85 Nm

			NAME	SIGN.	DATE	Drawing number	Product Description		
CHG.	David				06.03.17	ISM37.000.000	Vehicle Manuf.	ISUZU	
DWN.	Charnay				22.07.12		Vehicle Model	D-MAX	
CHKD.	David				06.03.17	Drawing description	Vehicle Version	Double Cab	
CONFIRM	Dani					SIDE STEP PROTECTOR	VIN	MPATFR87JHT000156	
ASFIR LTD.							Silver	Year of Production	2012 - 2017
							Catalogue number	Gear Shift	Automatic
							530153	Motor Model	Diesel 2.5TD / 1.9TD
Weight, kg 34.5							Transmission	4 x 2	