

NO.	PART NUMBER	DESCRIPTION	QTY.
1	MTW68.060.010	Connector	2
2	1025	Hex Bolt M8x90 DIN 933	4

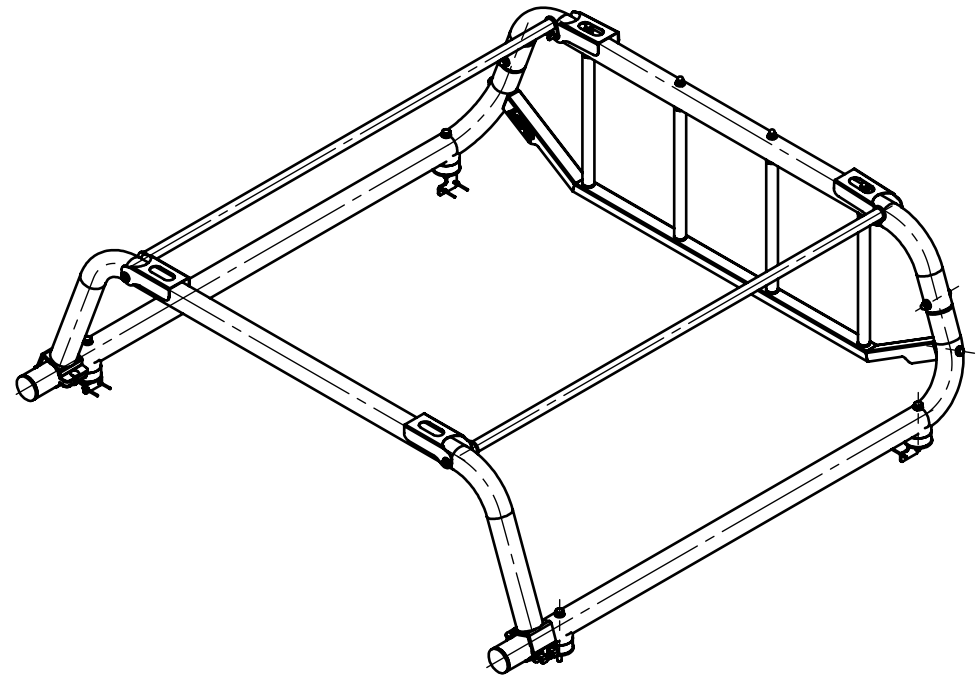
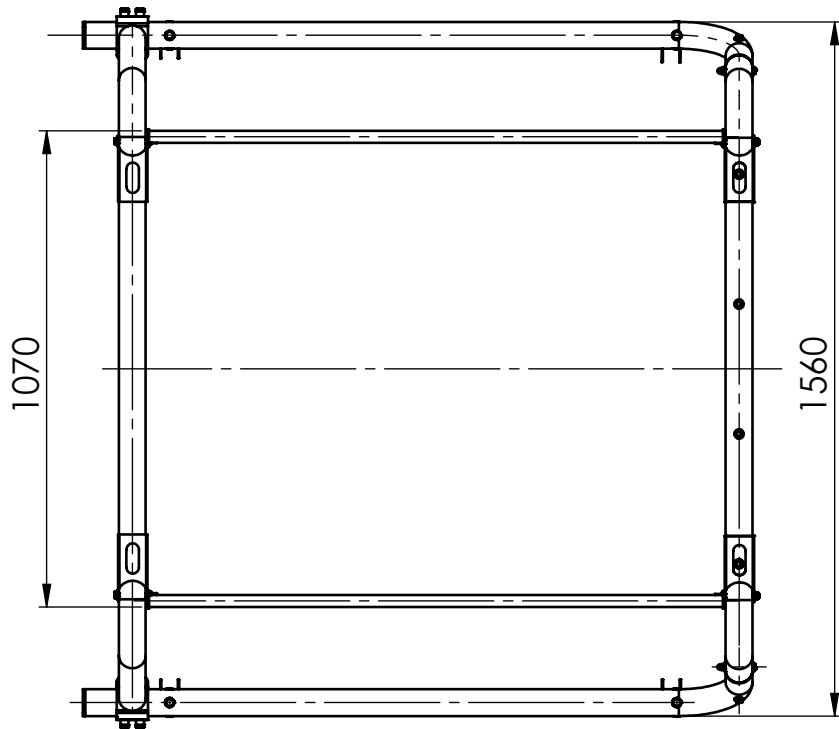
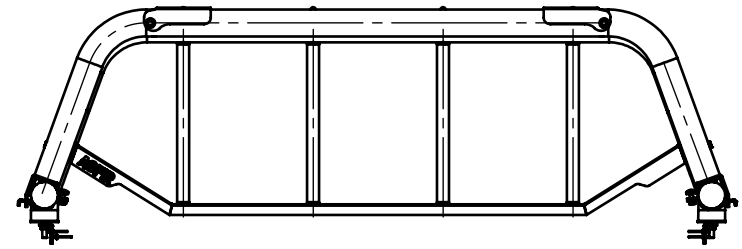
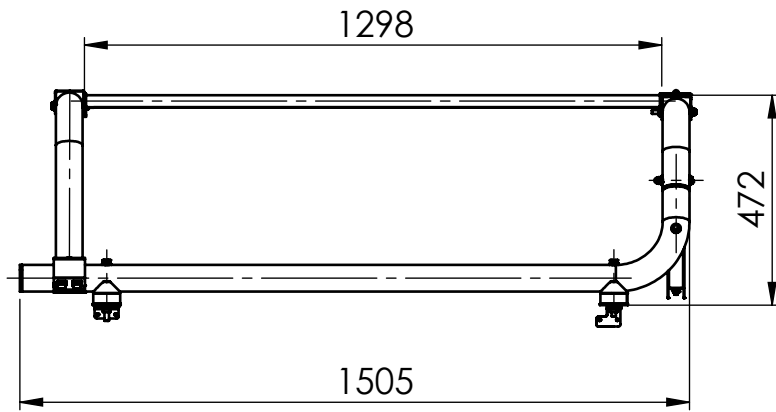
CHG.	NAME	SIGN.	DATE
DWN.	David		02.01.17
PLN.	David		05.03.18
CONFIRM	Dani		

Drawing number		Product Description		
MTW68.200.000		Vehicle Manuf.	Mitsubishi	Fiat
Drawing description		Vehicle Model	Triton	Fullback
Connector rod (pair) for Canvas setup on utility rack		Vehicle Version	Pickup L200	D-Cab
Catalogue number		VIN	MMCJYKL10GH003136	ZFAKVJY10G9007031
597188		Year of Product.	2015-2018	2016-2018
Sheet 1		Gear Shift	Automatic/Manual	Automatic
Sheets 2		Motor Model	Diesel	Diesel
		Transmission	4X4	4X4

ASFIR LTD.

Confidential

All rights in and to this document are property of ASFIR Ltd. and reserved to it. This document is forwarded to the recipient under the condition of and subject to the obligation of the recipient to keep the confidentiality of its contents. Copying, transfer or distribution of this document or its contents and the use of it not for the purpose intended are strictly forbidden.



ASFIR LTD.

DRAWING NUMBER

MTW68.200.000

CATALOGUE NUMBER

597188

DRAWING DESCRIPTION

Combined Utility Rack

VEHICLE

Mitsubishi Triton / Fiat Fullback

Sheet 2

Sheets 2